

INTRODUCTION

ANSI11 is cost-effective single phase residential electricity meters that provide utilities with high degree of accuracy and reliability.

ANSI11 meters are designed fully complying with ANSI standards, and with a built-in optional RS485 communication port to support AMR applications.



MAIN FUNCTIONS

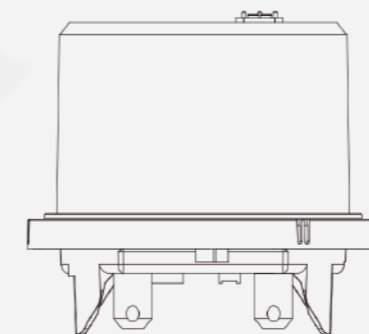


*optional

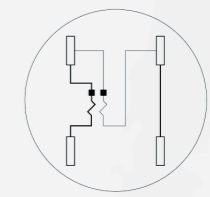


PARAMETERS		AS11
Accuracy Class(Active energy)		CA 0.5
Connection type		1S/2S(1P2W/1P3W)
Electrical	Nominal Voltage	110V, 120V, 220V, 230V, 240V ±30%
	Basic Current	15A, 30A
	Max Current	100A, 200A
	Strating Current	0.05A, 0.1A
	Frequency	50/60Hz ± 1%
	Constant	1000
	Power Consumption(V,I)	Voltage: 1W, 8VA /Current: 1VA
	RTC	≤0.5s/d (IEC 62054-21)
Communication	Local Communication	Optical Port, RS485(optional)
Environmental	Temperature Range	Operating:(-40°C to + 70°C) Storage:(-40°C to + 85°C)
	Relative Humidity	≤95%
Mechanical	IP Degree	IP54
	Meter Case	PA + 10% GF
	Meter Cover	PC + 10% GF
	Dimension LWH(mm)	φ176 x 140
	Weight(kg)	Approx. 0.7
Functional	Measuring Values	kW, kWh, V, I
	Tariffs	4
Protocols & Standards		ANSI C12.1, C12.10, C12.20, C12.18 and C12.19

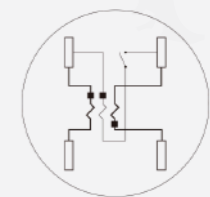
DRAWING & WIRING



Diameter x heigh: Ø176 x 140mm



Form 1S 2-Wire



Form 2S 3-Wire